



# Year 5 Mid-year Reasoning: Test A

Name	
Class	
Date	

1. Write these numbers in order, starting with the **lowest**.

10

-3

-11

4

-5

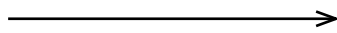
lowest

1 mark

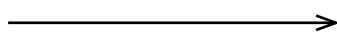
2. Write in the missing numbers.

One has been done for you.

rounded to the nearest  
whole number is

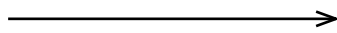


7.02



7

3.54



6.45



1 mark

3. Mia can catch different buses to get to school.

The table shows Mia's journey times from leaving home to arriving at school, for each bus.

Bus number	Leave home	Arrive at school
10	8:26	8:51
12	8:10	8:43
53	7:55	8:30
63	8:18	8:31
99	8:21	8:45

How long is Mia's journey if she catches the number 53 bus?

minutes

1 mark

4. Write what the missing numbers could be.

$$\boxed{\phantom{00}} \times \boxed{\phantom{00}} = 180$$

1 mark

5. Miss Smith had 150 reward stickers at the start of the year.

She gave 8 children 7 stickers each.

She gave 12 children 6 stickers each.

How many stickers **are left**?

Show  
your  
method

stickers

2 marks

6. Mount Everest is the highest mountain in the world.

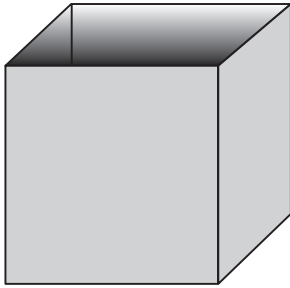
It measures **twenty-nine thousand and twenty-nine** feet.

Write its height in figures.

feet

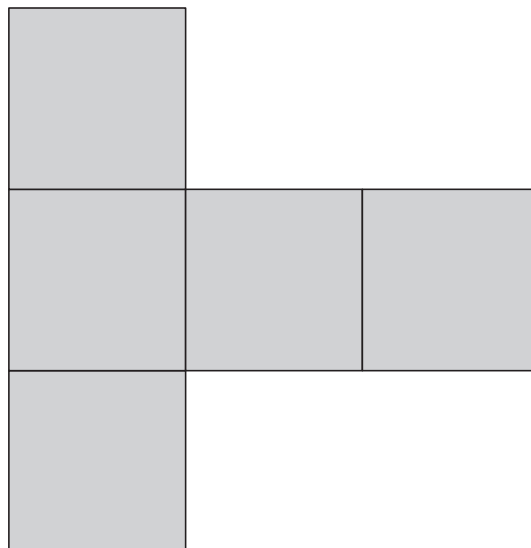
1 mark

7. Here is an **open top** cube.



Here is the net from which it is made.

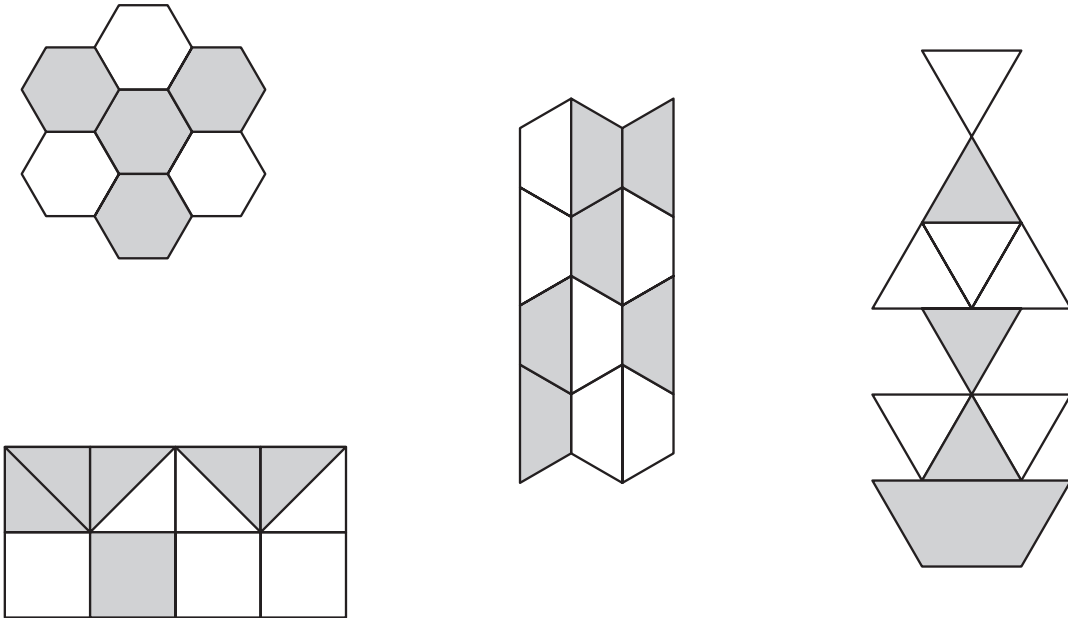
Put a tick (✓) on the square which is its **base**.



1 mark

8. Look at each picture.

Tick (✓) **all** the pictures that have exactly  $\frac{1}{2}$  shaded.



2 marks

9. A shelf holds 15 books.  
Jason has 56 books.

How many shelves does he need to hold **all** his books?

1 mark

Holly has 7 shelves **full** of books.

How many books does she have altogether?

1 mark

10. Circle the **two** divisions which have an answer of 4 remainder 3

$13 \div 3$

$23 \div 5$

$22 \div 6$

$31 \div 7$

1 mark

11. A juice bottle holds  $\frac{3}{4}$  litre when it is full.

How many **millilitres** is this?

Tick **one**.

7.5

75

750

7,500

75,000

1 mark

12. Mia and Holly both buy 24 bags of crisps.

Mia buys 4 packs of 6 bags.



Holly buys 2 packs of 12 bags.



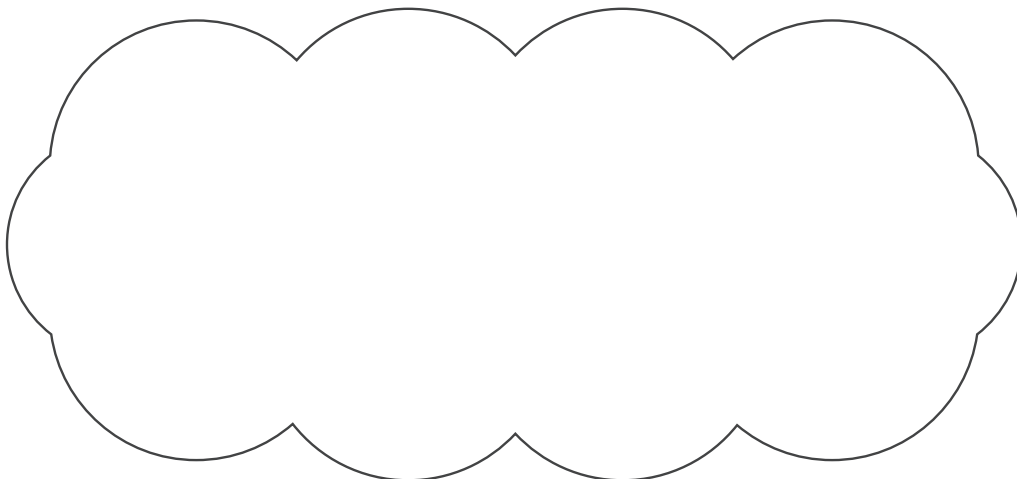
Holly says to Mia, *'You paid 60p more than me.'*

Is Holly correct?

Circle **Yes** or **No**.

Yes / No

Explain how you know.



1 mark



13. Jason lives **1.2 km** from school.  
Mia lives **350 m** from school.

How much closer to school is Mia than Jason?

 m

1 mark

14. Tick (✓) **all** of the cards that show **more** than a half.

$$\frac{5}{8}$$

$$60\%$$

$$0.49$$

$$45\%$$

$$0.6$$

1 mark



17. Write the missing numbers to make these sentences correct.

$$\frac{1}{2} \text{ of } 90 \text{ kg} = \boxed{\quad} \text{ kg}$$

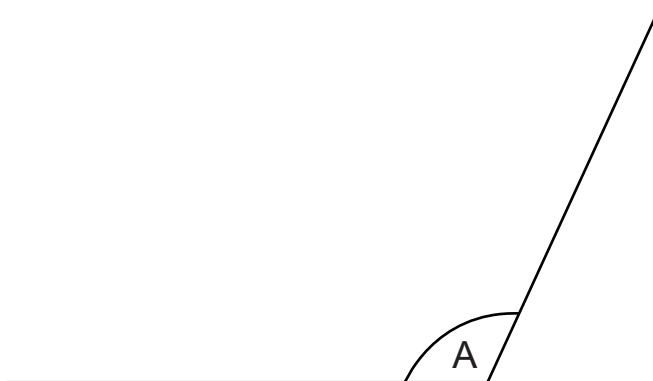
1 mark

$$\frac{1}{8} \text{ of } \boxed{\quad} \text{ kg} = 20 \text{ kg}$$

1 mark

18. Measure **angle A** accurately.

Use a protractor (angle measurer).

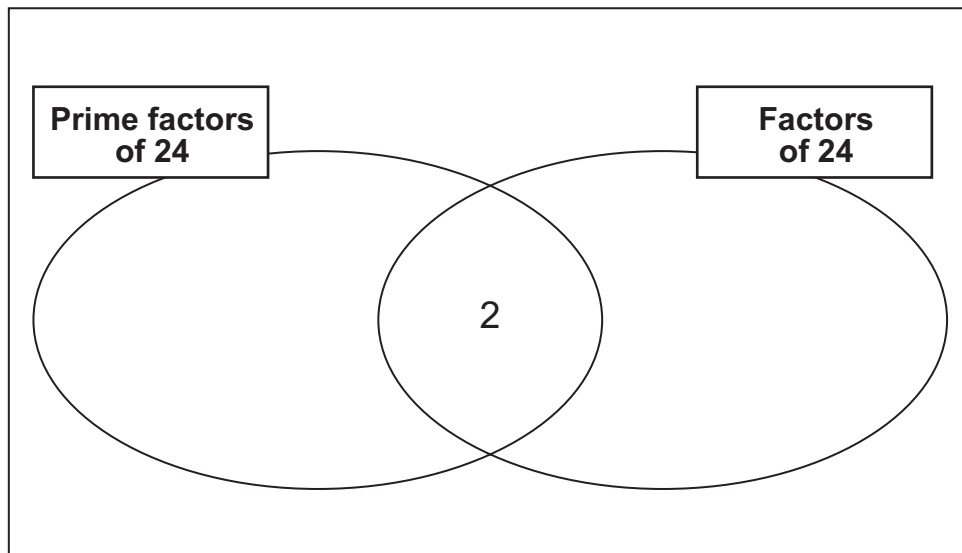


1 mark

19. Write the numbers in the correct places on the Venn diagram.

One has been done for you.

~~2~~      3      4      6      7



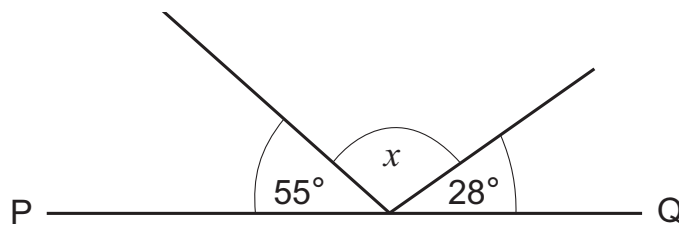
2 marks

20. 6 mangoes cost £8.10

Calculate the cost of **one** mango.

1 mark

21. PQ is a straight line.



Not drawn accurately

Calculate the size of angle  $x$ .

Do **not** use a protractor (angle measurer).

1 mark

22. Here are the ingredients to make pizza bases.

<p><u>Pizza base</u></p> <p>500 g flour</p> <p>25 g butter</p> <p>350 ml water</p>
--

Jason makes pizza bases using 1500 g of flour.

What weight of butter should he use?

1 mark

23. Mia and Jason each have some money.

Altogether they have £1.30

Mia gives Jason 20p so that they both have the same amount.

How much money did each have at the start?

Show your method

Mia had	p	Jason had	p
---------	---	-----------	---

2 marks

24. Circle the **two** fractions that are equivalent to 0.4

$$\frac{40}{100} \quad \frac{1}{40} \quad \frac{1}{4} \quad \frac{4}{10}$$

1 mark

25. Write these numbers in order, starting with the **smallest**.

$$\frac{5}{2}$$

$$\frac{13}{4}$$

$$\frac{25}{8}$$

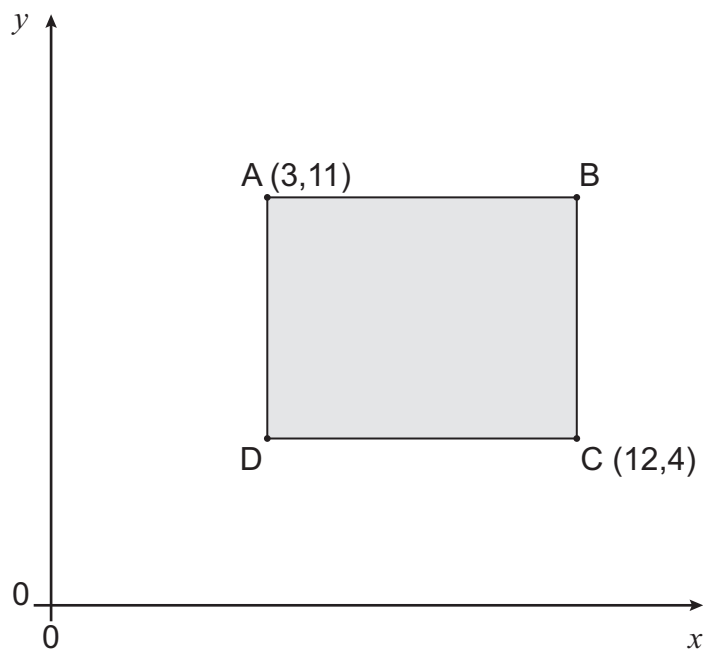
$$2\frac{3}{4}$$

--	--	--	--

smallest

1 mark

26. Here is a shaded rectangle.

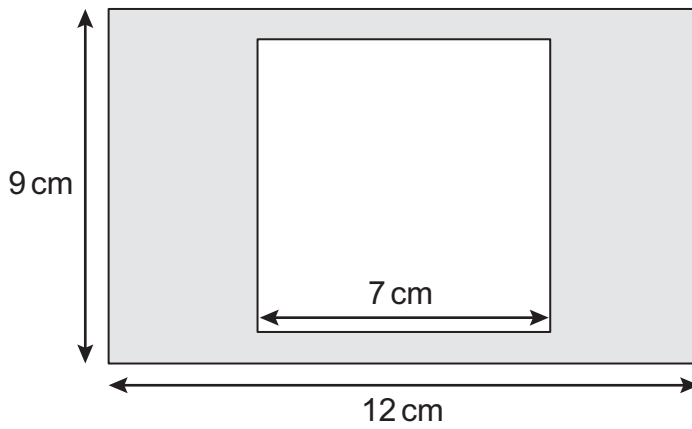


Write the coordinates for point B.

**B = (            ,            )**

1 mark

27. A square with 7cm sides is cut out of a grey rectangle.



What is the area of the grey shape that is left?

Show your method

The grid is 12 units wide and 9 units high. A small box is drawn on the grid, containing the text  $\text{cm}^2$ .

2 marks



